

# PowerLift® Automated Rigging System

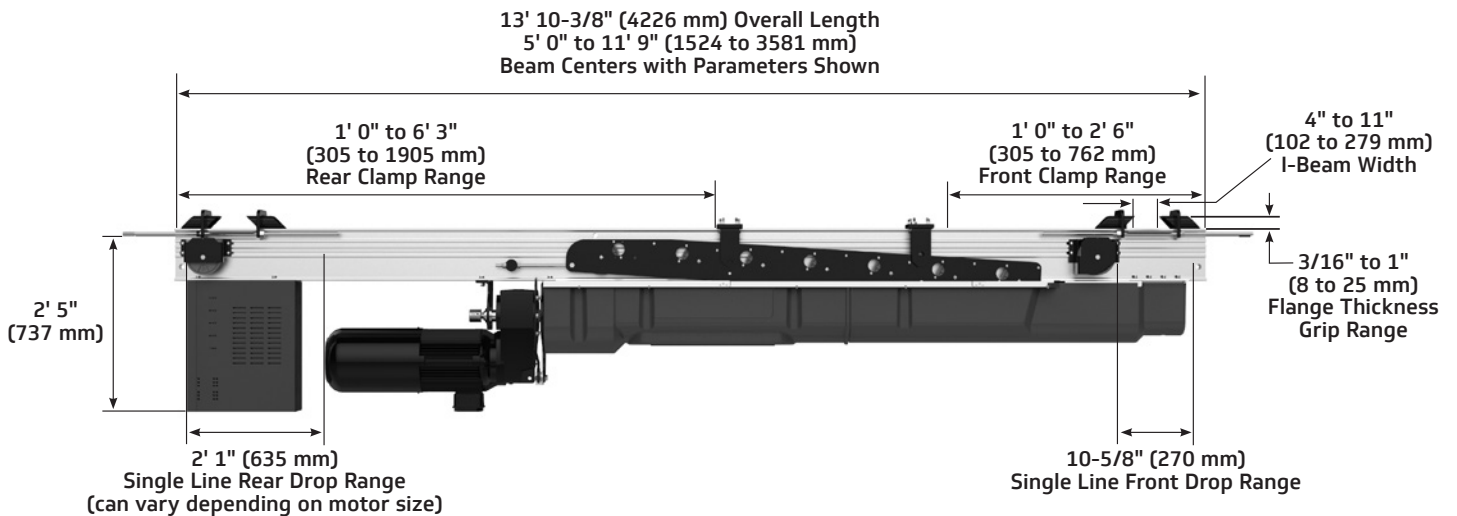
PowerLift is an economical, zero-fleet, high-performance, automated hoist available in fixed or variable speeds. Its versatile mounting system enables PowerLift to be installed in virtually any space. It's ideal for many stage hoisting applications.

- Load sensing standard with supporting control system
- Overload protection standard
- Position tracking standard
- Redundant limit switches standard (up, down, up overtravel, down overtravel)
- Dual brakes
- Three-year warranty against defects in materials or workmanship is provided on all J.R. Clancy equipment, additional warranty information is available at jrclancy.com

## Lift Lines and Travel

- Up to 62' (18.9 m) of travel with seven or fewer lift lines
- Up to 49' (14.9 m) of travel with eight lift lines
- One lift line can exit the hoist at the tail end of the hoist
- Optional continuous beam

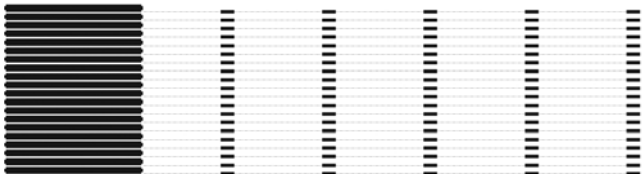
## Dimensions



## Models

Part Number	Load Speed	Hoist Gross Capacity	Hoist Weight	Amp Draw		
				208 V	380 V	480 V
018-P0225F	20 fpm (0.1 m/s)	2500 lb (1134 kg)	670 lb (304 kg)	5.8	5.4	2.4
018-P0225V	0-20 fpm (0-0.1 m/s)	2500 lb (1134 kg)	670 lb (304 kg)	6.3	5.8	2.8
018-P1212V	0-120 fpm (0-0.6 m/s)	1200 lb (544 kg)	650 lb (295 kg)	16.5	8.8	7.5
018-P1217V	0-120 fpm (0-0.6 m/s)	1750 lb (793 kg)	710 lb (322 kg)	21.5	12.0	9.8
018-P1225V	0-120 fpm (0-0.6 m/s)	2500 lb (1134 kg)	800 lb (363 kg)	-	15.5	12.5
018-P1812V	0-180 fpm (0-0.9 m/s)	1200 lb (544 kg)	710 lb (322 kg)	22	12.5	9.8
018-P1817V	0-180 fpm (0-0.9 m/s)	1750 lb (793 kg)	750 lb (340 kg)	-	16	13

## Center to Center Spacing Options

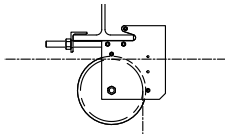


11" (279 mm) Set centers with all hoists adjacent to each other

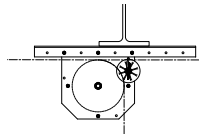


8" (203 mm) Set centers with hoists offset

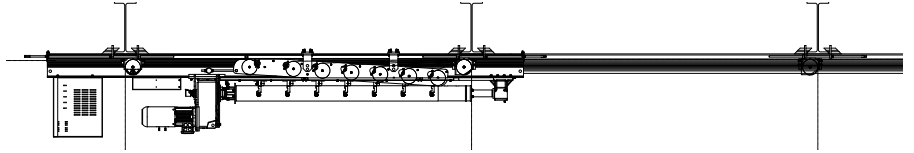
## Loft Block Options



19 Series loft blocks –  
underhung



Universal loft blocks –  
upright or underhung



Continuous beam mounted loft blocks –  
underhung

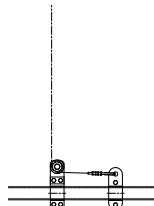
## Batten Attachment Options



Trim Chain/Alpha  
Chain



Pipe Clamp and  
Turnbuckle

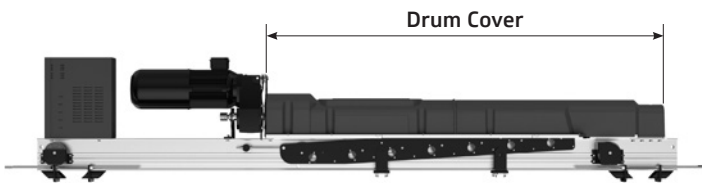


Batten Trim  
Clamp



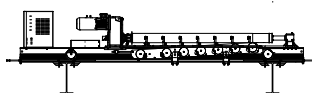
Batten Trim  
Plate

## Drum Cover Option

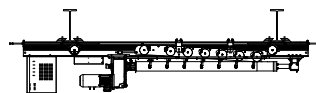


Required when hoist is within 106" (2692 mm) of a  
walking surface or 60" (1524 mm) of a railing

## Mounting Orientation Options



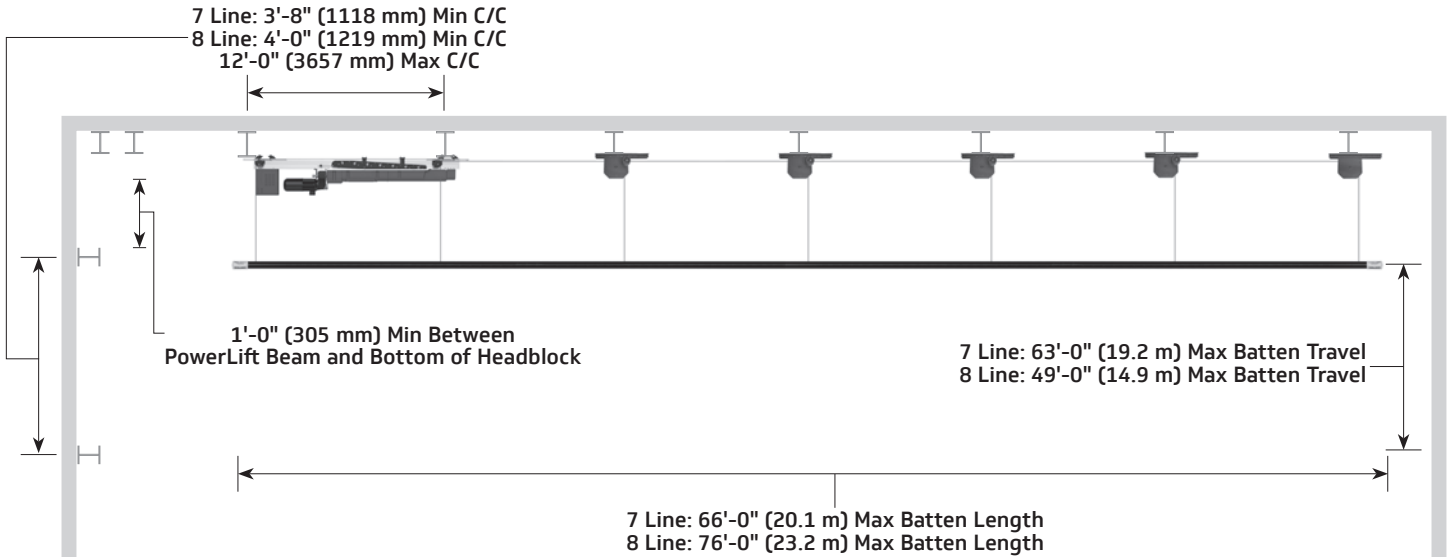
Upright



Underhung

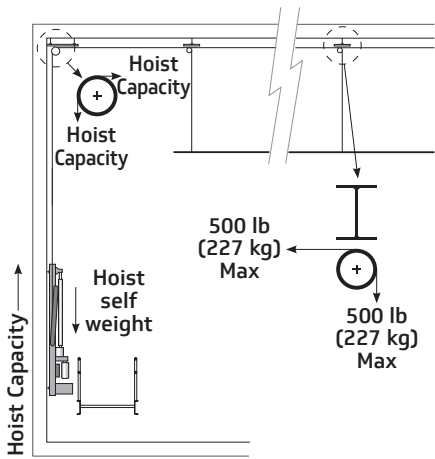


Vertical



**Loading Information**

The combined load on the lift lines associated with a single PowerLift hoist will not exceed the hoist capacity. Loads may be unevenly distributed on the batten with a maximum load of 500 lb (227 kg) on any individual lift line.



**Calculating Live Load Capacity:**

	Total hoist capacity:	
minus	Batten weight:	(3 lb/ft for each schedule 40 pipe batten and approximately 7 lb/ft for each connector strip)
minus	Pantograph weight:	(Approx 250 lb for 25' of travel and 350 lb for 50' of travel )
equals	Live Load Capacity:	Please contact your sales rep for additional configurations

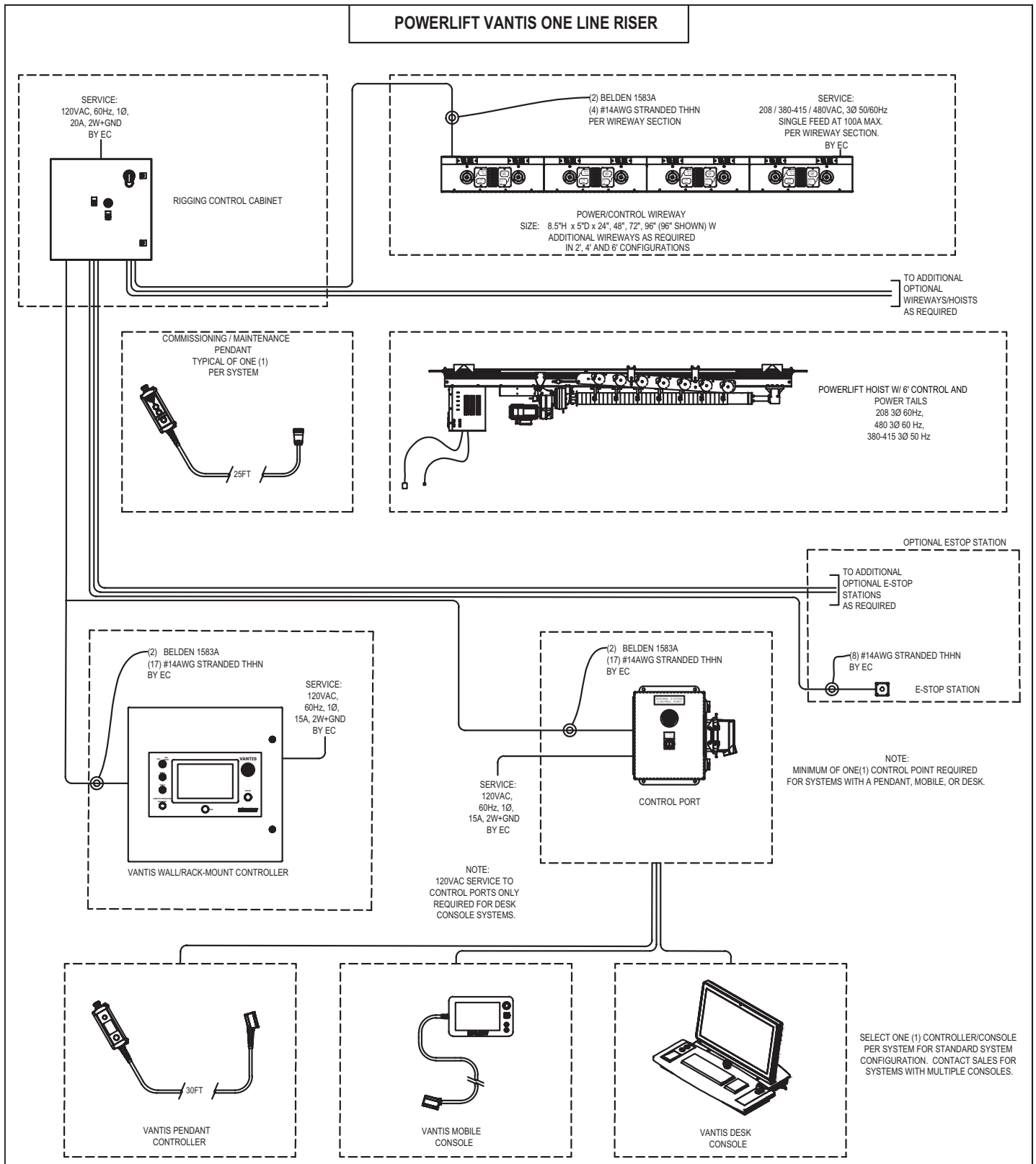
**Notes:**

- Systems with 5 lift lines may need to be de-rated to 1750 lb (794 kg) in order to prevent overloading of a single lift line
- Systems with 4 lift lines may need to be de-rated to 1350 lb (612 kg) in order to prevent overloading of a single lift line
- Systems with 3 lift lines may need to be de-rated to 800 lb (363 kg) in order to prevent overloading of a single lift line

**For minimum stacking height**

We recommend that the closest contact point be at least 6" (154 mm) away from the nearest obstruction. Batten connection type, hoist location, loft block type, cable management and building architecture can impact stacking height.

# PowerLift Riser — Typical



© 2024 Wenger Corporation  
USA/2024-05

Minnesota Location

Wenger Phone 800.4WENGER (493-6437) Wenger Worldwide +1.507.455.4100 | Parts & Service 800.887.7145 | wengercorp.com  
GearBoss Phone 800.493.6437 | gearboss.com  
555 Park Drive, PO Box 448 | Owatonna | MN 55060

New York Location

J.R. Clancy Phone 800.836.1885 JR Clancy Worldwide +1.315.451.3440 | jrclancy.com | 7041 Interstate Island Road | Syracuse | NY 13209